

ROSE



ANY QUESTIONS?

technik@rosebikes.com

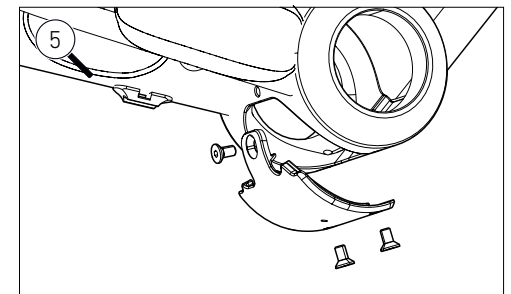
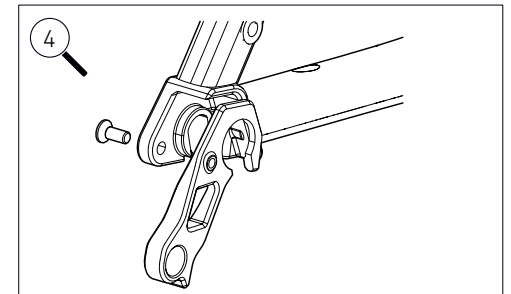
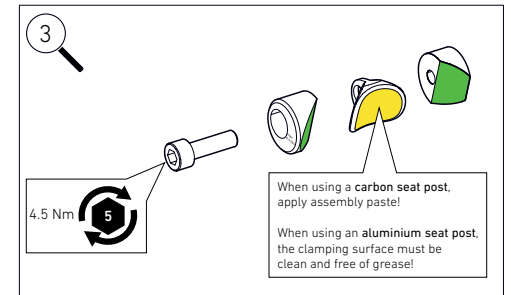
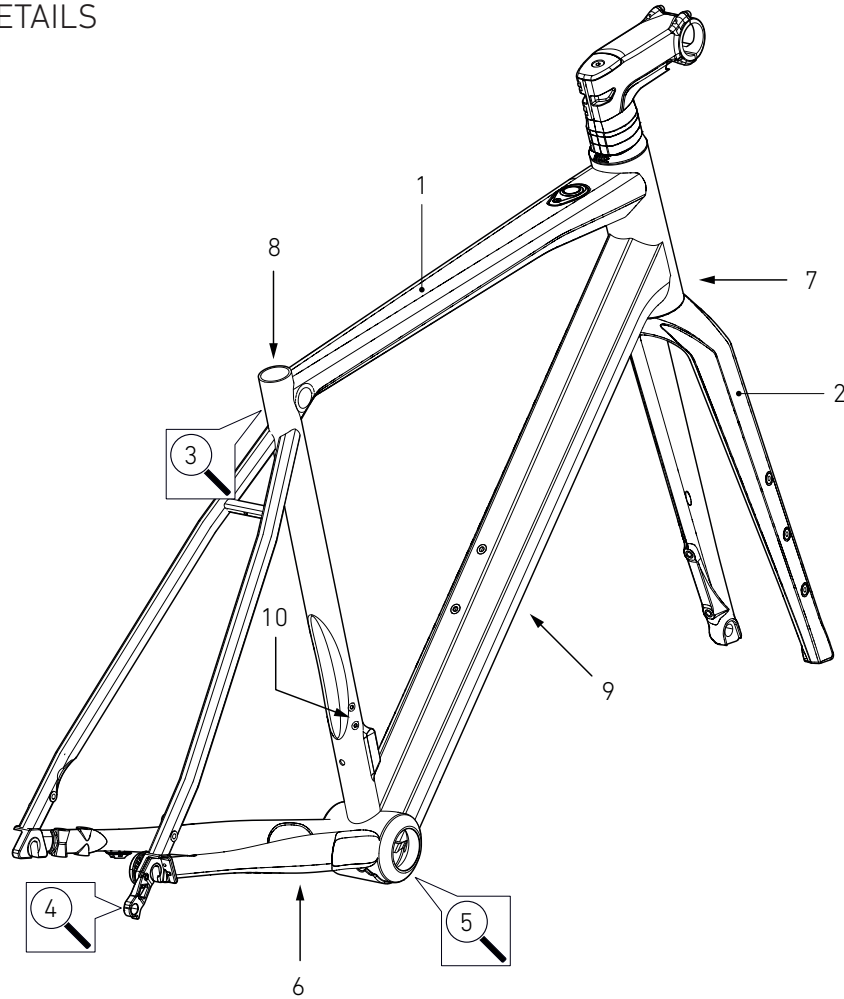
ROSE Bikes GmbH
Schersweide 4
46395 Bocholt, Germany

B A C K R O A D PLUS

AL FRAME DETAILS

BACKROAD PLUS

AL FRAME DETAILS

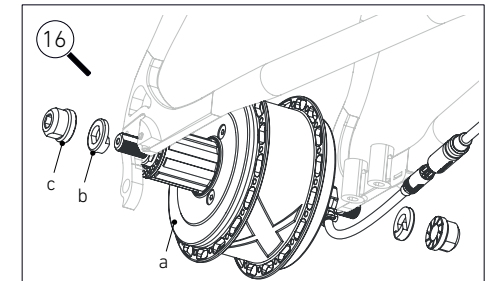
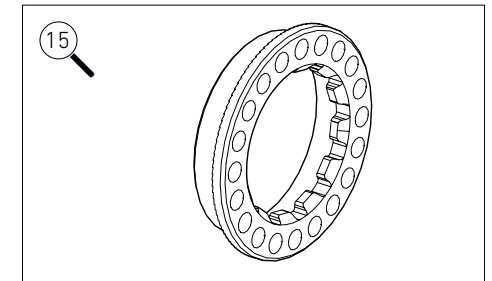
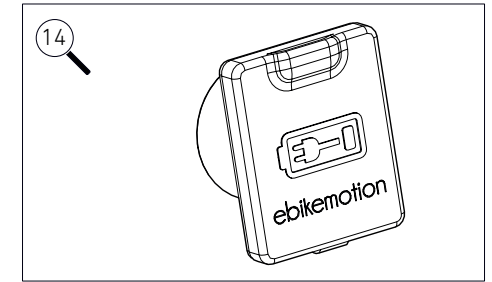
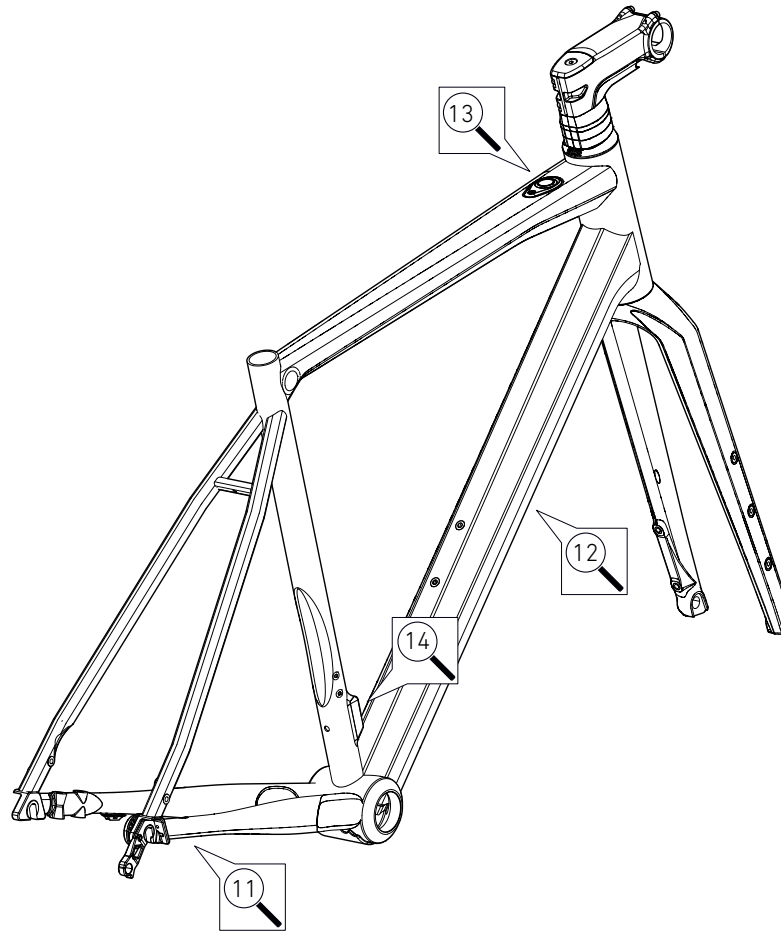
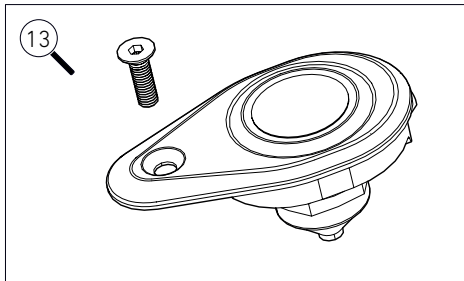
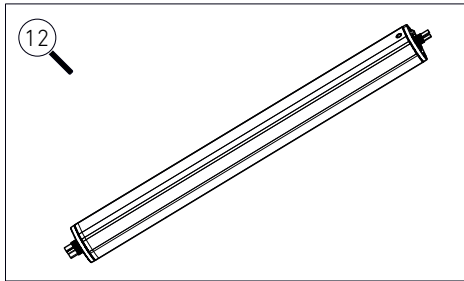
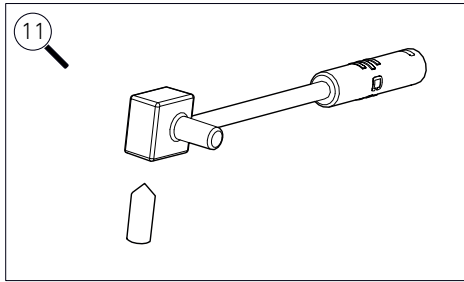


POS.	DESCRIPTION	SPECIFICATIONS	ART. NR.
1	frame	color: sandy taco	2291176
		color: seafoam green	2314050
2	fork	color: sandy taco	2310730
		color: seafoam green	2310731
3	seatpost clamp	3 pieces + fixing screw M6 x 20 mm	2312064
4	derailleur hanger	standard	2341527
		direct mount	2310820
5	BB Cover	Cover + 3x M4 x 8 mm	2321170
6	Di2 plug		2198822

POS.	DESCRIPTION	SPECIFICATIONS	ART. NR.
7	headtube cable routing rubber		2322484
8	rubber ring		2256912
9	PU foam downtube cable routing		220323000
10	front derailleur plate		2297409
	chainguard plate		2316934
	chainguard		2316935
	plug headset cap screw	11 x 4 x 4 mm	2178624
	GREASE	Motorex Bike Grease 2000 100 g	49208600
	THREADLOCKER	mid strength	for example 1322431

BACKROAD PLUS

AL FRAME DETAILS

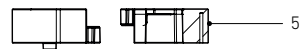
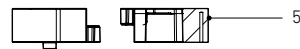
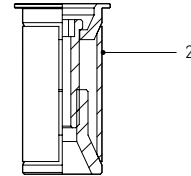
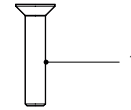


POS.	DESCRIPTION	SPECIFICATIONS	ART. NR.
11	PAS Sensor	including 1x M4 x 10 mm threaded pin	2301093
12	Mahle Battery	including 3x M5 x 10 mm	2332158
13	iWoc switch	including 1x M3 x 10 mm	2301070
14	Mahle charging plug	including 2x ST2.9 screws	2319138
15	lock nut 11-speed		2301078
	lock nut 12-speed		2344044
16	a Mahle drive unit		2301030
	b torque support		2301080
	c motor nut		2301079

POS.	DESCRIPTION	SPECIFICATIONS	ART. NR.
-	spoke front wheel		231702005
-	spoke front wheel		231702006
-	spoke rear wheel		231702007
-	spoke rear wheel		231702008
-	charging cable		2300998

BACKROAD PLUS

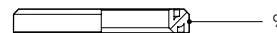
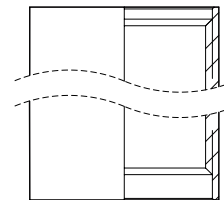
AL FRAME DETAILS



HEADSET DETAILS

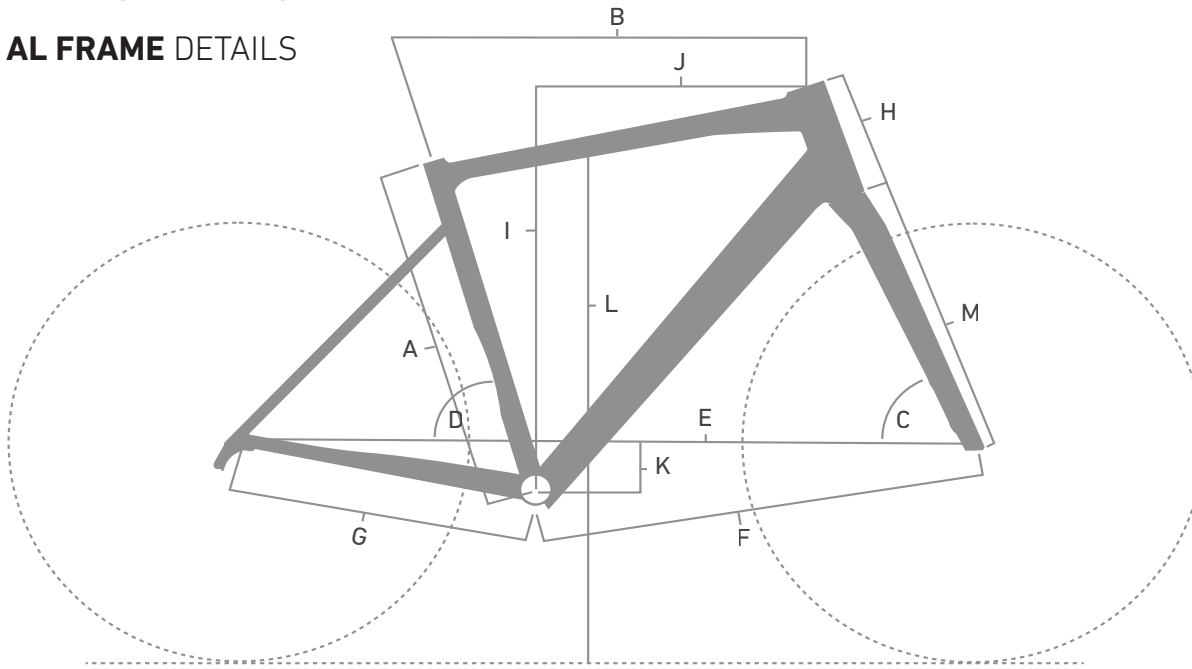
HEADSET ART. NR. 231867601

1	countersunk head screw	DIN7991, M6 X 30 mm
2	compression device	
3	top cover	12 mm
4	spacer	5 mm
5	spacer	10 mm
6	headtube cover	8.5 mm
7	compression ring	Ø1 1/8"
8	upper bearing	42 x 52 x 7 mm
9	lower bearing	40 x 52 x 7 mm, R2



BACKROAD PLUS

AL FRAME DETAILS



FRAME GEOMETRY

		XS	S	M	L	XL
SEATTUBE LENGTH [MM]	A	470	490	508	535	560
TOPTUBE LENGTH HORIZONTAL [MM]	B	515	535	555	577	590
HEADTUBE LENGTH [MM]	C	125	146	170	186	205
HEAD TUBE ANGLE	D	70°	70,5°	71°	71,5°	71,5°
SEAT TUBE ANGLE	E	74,25°	74°	73,5°	73,5°	73,5°
BB DROP [MM]	F	65	68	72	76	76
REAR CENTER [MM] (CHAINSTAY LENGTH)	G	430	430	430	430	430
WHEELBASE [MM]	H	1011	1023,5	1032,5	1048	1062
REACH [MM]	K	361,5	372	378	393,5	401,5
STACK [MM]	L	544,5	569	598	619	637
STAND-OVER HEIGHT	N	765	780	799	829	845
FORK LENGTH [MM]	U	404,2	404,2	404,2	404,2	404,2
FRONT CENTER [MM]	V	589,5	603	613	629,5	643
STACK TO REACH RATIO		1,50	1,53	1,58	1,57	1,58
FORK OFFSET [MM]		47	47	47	47	47

FRAME INTERFACES

REAR WHEEL AXLE	-
REAR BRAKE MOUNT	Flatmount 160 mm
MAX Ø DISC	160 mm only!
Ø SEATPOST	27.2 mm
MAX. TIRE SIZE	700Cx45
MAX. CHAINRING SIZE	1x 42T
FRONT DERAILLEUR MOUNT	yes
BOTTLE CAGE	yes, 2x
REAR RACK MOUNT	yes, max. load 8 kg each side!

FORK INTERFACES

FRONT WHEEL AXLE	12 x 100 mm: ROSE Art. Nr.: 227585701
FRONT BRAKE MOUNT	Flatmount 160 mm - 180 mm
MAX Ø DISC	180 mm
MAX. TIRE SIZE	700Cx45
LOWRIDER MOUNT	not compatible
BOTTLE CAGE	yes, 2x

MAX SYSTEM WEIGHT (RIDER + BICYCLE + CLOTHING + GEAR + LUGGAGE): 110 KG
 BICYCLE WEIGHT (±5%, INCLUDING PEDALS): APEX 13.9 KG, GRX 13.8 KG
 INTENDED USE: DIN 17406 CATEGORY 2